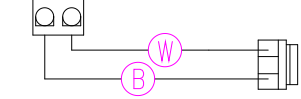


12V Light (White 2-Pin)



ON

OFF

SYSTEM FUSE

RED INDICATOR LIGHT

HIGH-LIMIT

RED INDICATOR LIGHT

PUMP 1 FUSE

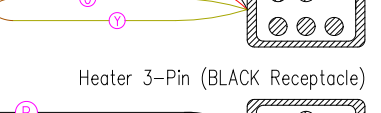
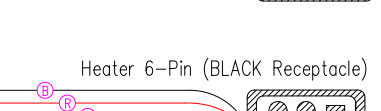
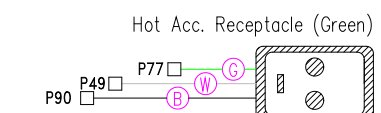
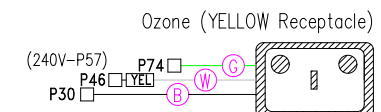
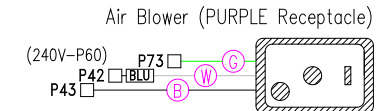
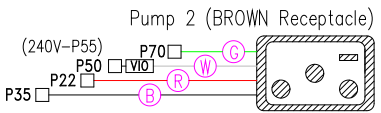
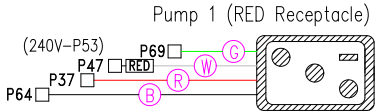
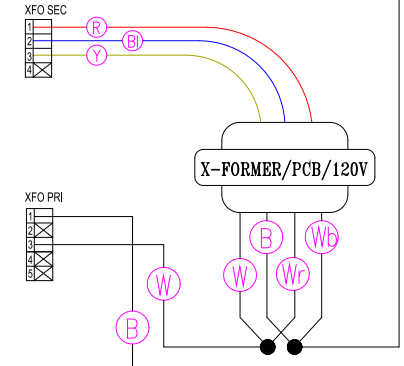
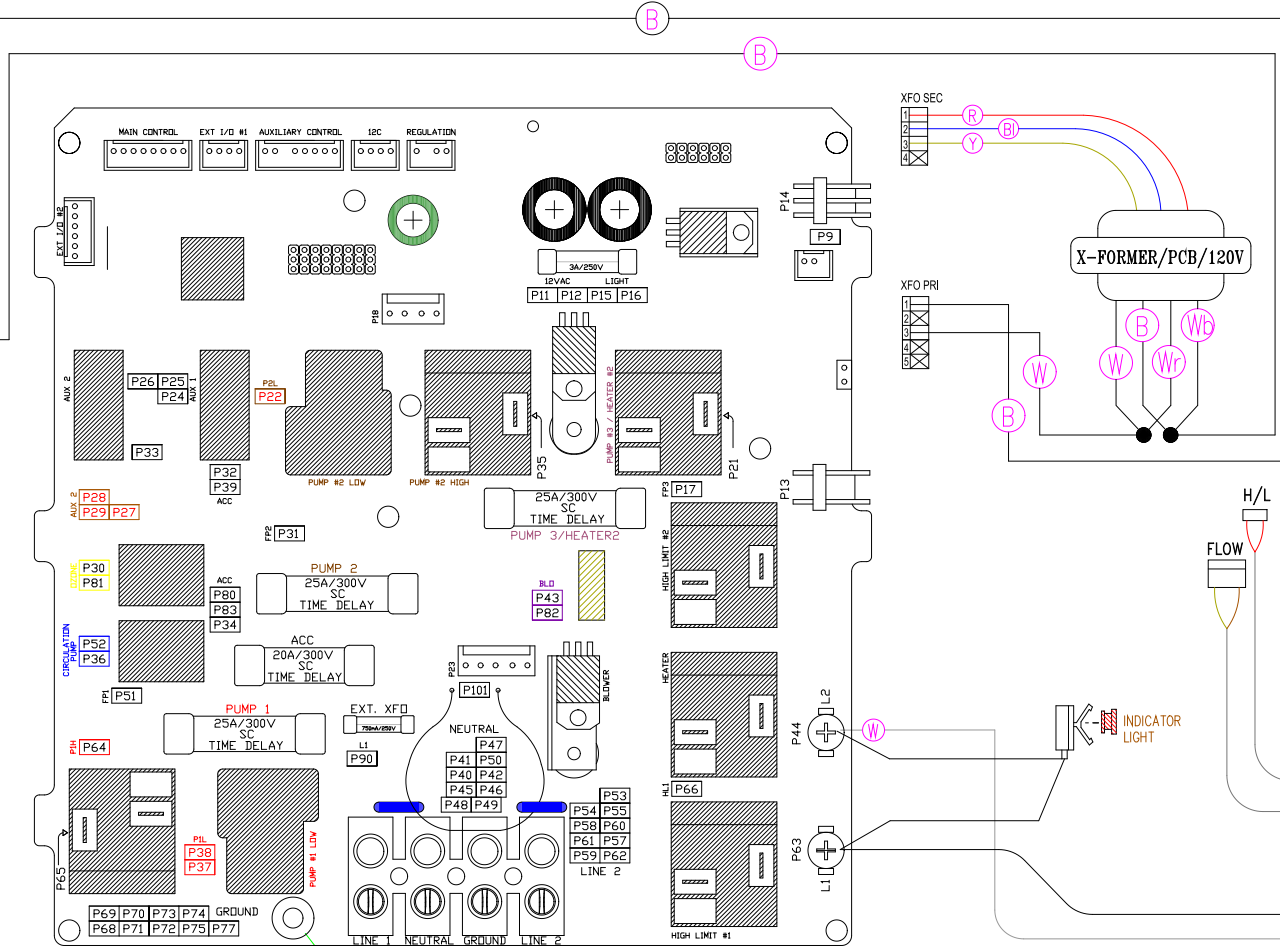
RED INDICATOR LIGHT

PUMP 2 FUSE

RED INDICATOR LIGHT

AIR/CIRC/OZ FUSE

RED INDICATOR LIGHT



33-0025-R8

HYDRO-QUIP
CORONA, CA (951) 273-7575

Manufacture Notes: EX: RED - DENOTES THE COLOR OF HEAT SHRINK USED.

Drawn BH	Rev 14	Wire Color Code B - Black G - Green Br - Brown BI - Blue R - Red V - Violet O - Orange W - White Y - Yellow Gr - Gray
Date	05.16.07	
Diagram No.	4421	